

## TRANSPORT TROLLEY CARRY 120

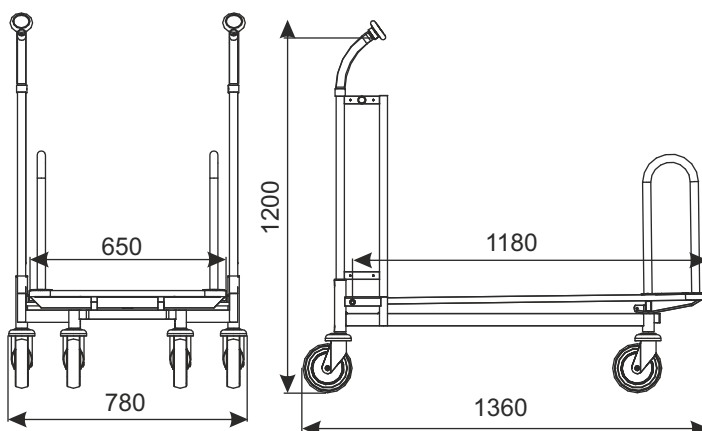


### Trolley is available in the option:

- with the wire platform,
- with full platform ( platform of plywood, anti-slip, waterproof, double-sided foiled).

TYPE	Carry 120
LOADING	400 kg
WHEEL DIAMETER	160 mm
NESTING DISTANCE	320 mm

As a standard is the trolley with the wooden platform have two front bars ( mounted to the lifted hatch), optional is available with one bar or without bars. Wire platform without bars.

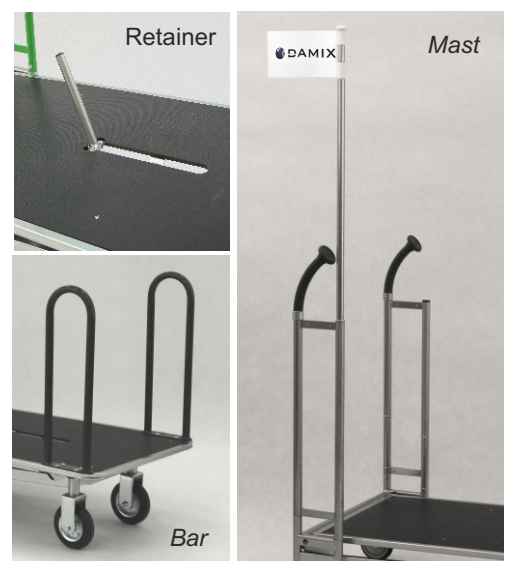


### Standard finish:

zinc plated, sides are additionally powder coated, what enriches the aesthetics of the trolley and composes with color scheme of the shop.

### ADDITIONAL EQUIPMENT:

In the standard version shopping trolley has standard wheels. Optional accessories (inter alia wheels with brake, coin lock, logo and other accessories) require separate arrangements.



PRODUCT NAME	FINISH	INDEX
Transport trolley Carry 120	zinc plated/powder coated	919-343-793

## W3 TRANSPORT TROLLEYS