

Stainless Steel Bumper



A bumper system that is as tough as they come!

Using a shock-diffusing foundation, we designed a seamless, stainless steel bumper system. It installs in minutes, sits flush to the wall, requires no maintenance—and resists everything from fingerprints, to rust, to direct hits by shopping carts.

Clean & Modern Smooth, brushed stainless steel gives a fresh, modern look to your space and requires no maintenance

Modular System Custom cut on-site, it installs into virtually any space using only a drill and a screwdriver, saving you time and expense

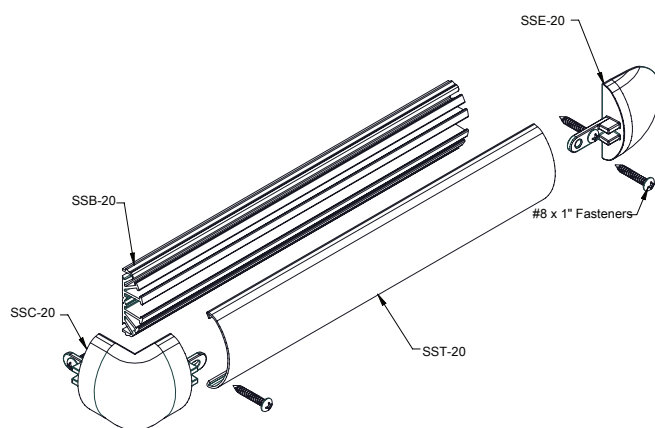
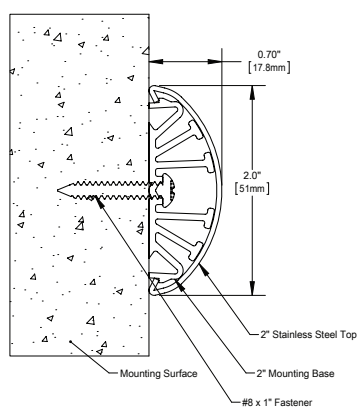
Strong Protection Impacts are distributed along the steel face and transferred to a polycarbonate foundation to protect like nothing else



Stainless Steel Bumper



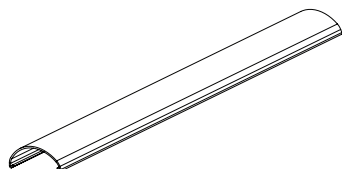
**Takes hard hits
and won't hold
a grudge!**



Stainless Steel 2" Top

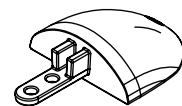
SST-20

Sold in 8' lengths



Stainless Steel 2" End Cap

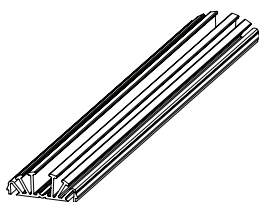
SSE-20



2" Mounting Base

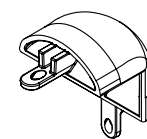
SSB-20

Sold in 8' lengths



Stainless Steel 2" Snap-on 90° Outside Corner

SSC-20



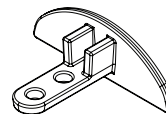
Lead Times & Custom Lengths

Lead time is 3 weeks.

For custom cut lengths, please call for lead time and additional cut/finishing fees will apply.

Stainless Steel 2" Quick Stop End Cap

SSE-20DS



McCue Corporation
Peabody, MA 01960, USA
+1 (800) 800 8503
customer@McCue.com

McCue UK & Europe
Milton Keynes, United Kingdom
+44 (0)1908 365 511
uksales@mccue.com

McCue Asia
迈客(厦门)有限公司
Xiamen, Fujian, China
+86-592-2200790

mccue.com

