

CartGuard® 2 Flex



Eye-catching color with superior protection.

Our impact-resistant bumper provides reliable protection and a simply beautiful, curved aesthetic. It's designed to fit rounded fixture corners or other curved applications for strong, seamless protection.

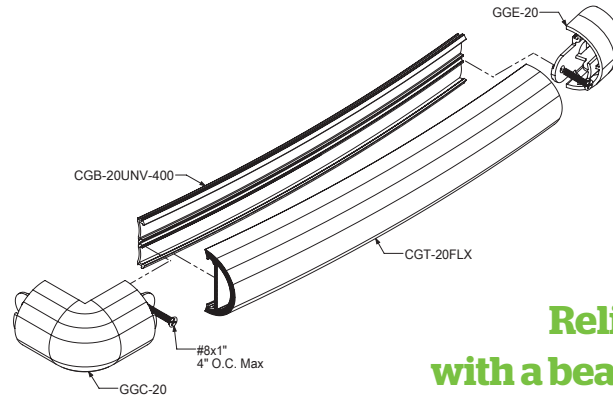
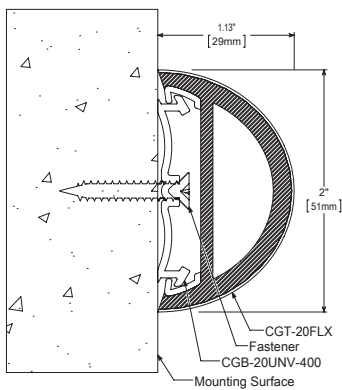
Strong Flexible PVC flattens out upon impact and releases impact energy away from store fixtures

Speedy Install All parts snap together for easy installation and guaranteed alignment

Innovative Designed to wrap around curved fixtures and can complete a radius as small as 4 inches

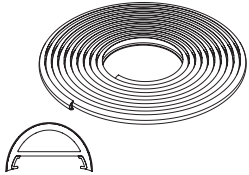


CartGuard® 2 Flex



**Reliable protection
with a beautiful aesthetic!**

Components:



Flexible CartGuard® 2" Top

CGT-20FLX-COLOR

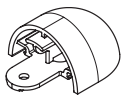
Sold in 72' lengths
Packed: 72' coil per box



2" Mounting Base (PVC)

CGB-20UNV-400

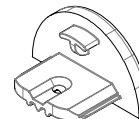
Sold in 12' lengths
Packed: 24 per box (288' total)



2" Snap-on End Cap

GGE-20-COLOR

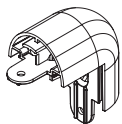
Packed: 200 per box



2" Quick Stop End Cap

GGE-20DS-COLOR

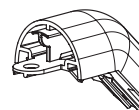
Packed: 250 per box



2" Snap-on 90° Corner

GGC-20-COLOR

Packed: 100 per box



2" Snap-on 135° Corner

GGC-20.45-COLOR

Packed: 100 per box

* 2" Snap-on Custom Corners Available. Metal-reinforced corners made to order for fixture angles between 95°-175°.

401 Black
Stock Colors
Available to QuickShip
within 24 Hours. Please
inquire about quantities
greater than 2,880 feet.



Standard Colors
Available to ship
within 1 week.



Custom Color Matching
Pre-matched colors ship within 3
weeks. Otherwise allow 6-8 weeks
for delivery. Minimums may apply.



McCue Corporation
Peabody, MA 01960, USA
+1 (800) 800 8503
customer@McCue.com

McCue UK & Europe
Milton Keynes, United Kingdom
+44 (0)1908 365 511
uksales@mccue.com

McCue Asia
迈客(厦门)有限公司
Xiamen, Fujian, China
+86-592-2200790

mccue.com

