

Corner Guard Stainless



Stay clean and protected with our newest easy-to-install, clean fitting guard.

Our adjustable stainless steel corner guards provide the simple and clean look of stainless with the same scope of protection of our plastic corner guards. Installation is made even easier with our patented twist-and-lock technology.

Adjustable Adjustable legs expand or contract 1/4" in either direction

Strong 13 gauge (0.090") stainless construction for maximum protection

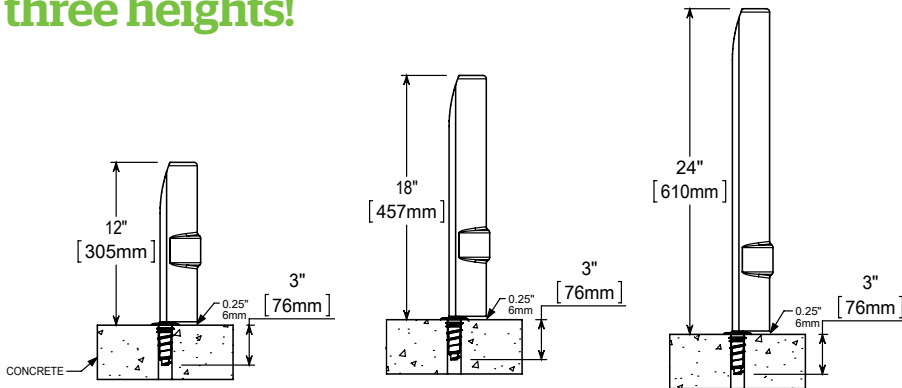
Safe for Shoppers Rounded edges and brushed stainless steel finish



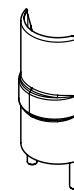
Corner Guard Stainless



Full corner protection in three heights!



How It Works:



12" Adjustable Corner Guard

GARD-12-SS

Packed: 1 per box

Type 201 Stainless Steel
(2) Flange Anchor Kits included



18" Adjustable Corner Guard

GARD-18-SS

Packed: 1 per box

Type 201 Stainless Steel
(2) Flange Anchor Kits included

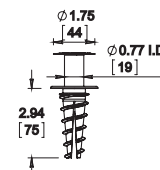


24" Adjustable Corner Guard

GARD-24-SS

Packed: 1 per box

Type 201 Stainless Steel
(2) Flange Anchor Kits included



Flange Anchor

CSFA-10-KIT

Stainless mounting sleeve and plastic anchor

Lead Times: 1 week lead for quantity 1-49. Inquire for quantities 50 or more.

Patents 7507050, 6991413, 7587790



McCue Corporation
Peabody, MA 01960, USA
+1 (800) 800 8503
customer@McCue.com

McCue UK & Europe
Milton Keynes, United Kingdom
+44 (0)1908 365 511
uksales@McCue.com

McCue Asia
迈客(厦门)有限公司
Xiamen, Fujian, China
+86-592-2200790

mccue.com

