

CartGuard® 1 Flex



Reliable protection with a beautiful, curved aesthetic.

Ideal for protecting rounded or curved surfaces on fixtures, columns, checkstands and service counters. One row, two rows or more, the only decorative limit to the uses of CartGuard 1 is your imagination.

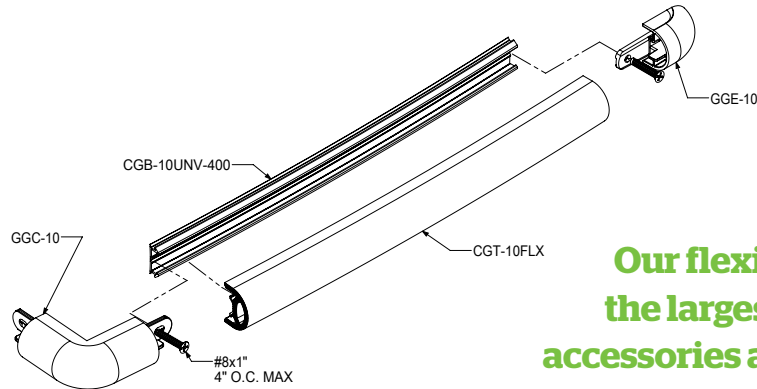
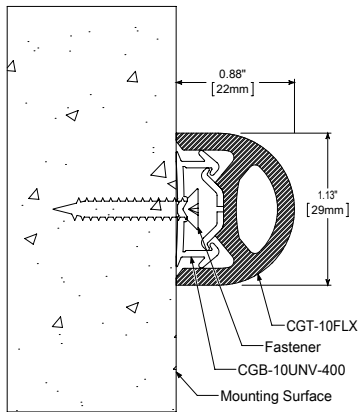
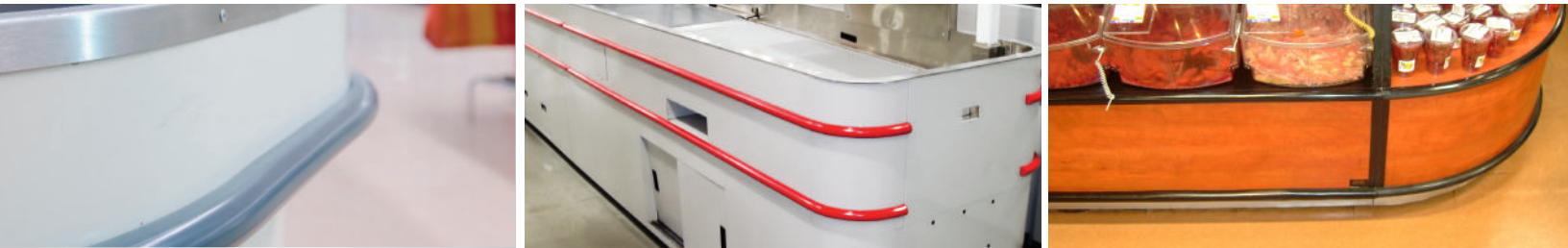
Strong Flexible damage protection designed for curved fixtures, merchandisers, walls and vestibules

Speedy Install All parts snap together for guaranteed alignment

Innovative Can complete a radius as small as 4"

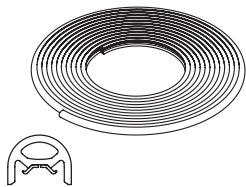


CartGuard® 1 Flex



Our flexible bumper has the largest range of color, accessories and capabilities!

Components:



Flexible CartGuard® 1" Top

CGT-10FLX-COLOR

Sold in 72' lengths

Packed: (3) 72' coils per box



1" Mounting Base

CGB-10UNV-400

Sold in 12' lengths

Packed: 24 per box (288' total)



1" Snap-on End Cap

GGE-10-COLOR

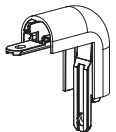
Packed: 50 per box



1" Quick Stop End Cap

GGE-10DS-COLOR

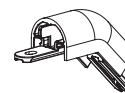
Packed: 50 per box



1" Snap-on 90° Corner

GGC-10-COLOR

Packed: 25 per box



1" Snap-on 135° Corner

GGC-10.45-COLOR

Packed: 25 per box

* 1" Snap-on Custom Corners Available. Metal-reinforced corners made to order for fixture angles between 95°-175°.

401 Black
Stock Colors
 Available to **QuickShip**
 within 24 Hours. Please inquire about
 quantities greater than 2,880 feet.

601 Beige **602 Brown**
101 Gray **111 Silver** **501 Red**
Standard Colors
 Available to ship
 within 1 week.



Custom Color Matching
 Pre-matched colors ship within 3
 weeks. Otherwise allow 6-8 weeks
 for delivery. Minimums may apply.



McCue Corporation
 Peabody, MA 01960, USA
 +1 (800) 800 8503
 customercare@mccue.com

McCue UK & Europe
 Milton Keynes, United Kingdom
 +44 (0)1908 365 511
 uksales@mccue.com

McCue Asia
 迈客(厦门)有限公司
 Xiamen, Fujian, China
 +86-592-2200790

mccue.com

